

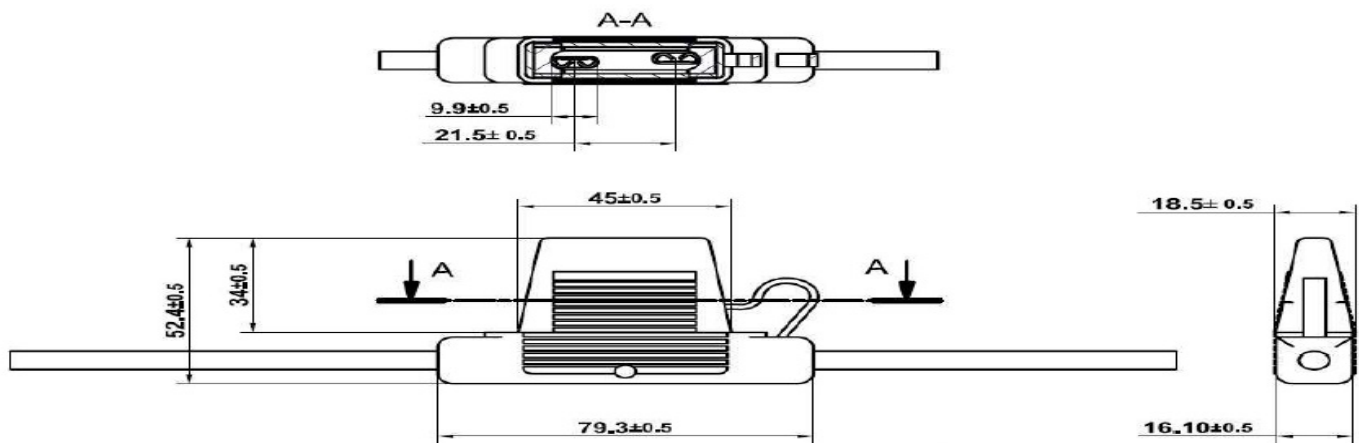


PICO®

9906

Specifications Sheet

Outline Drawings



Unit of measure: mm

Specifications

- Electrical: 60 A Max.
- Insulation Body: Transparent PVC Material
- Terminal: Brass Material
- Wire Gauge: 8 AWG
- Wire Standard: UL 1015