

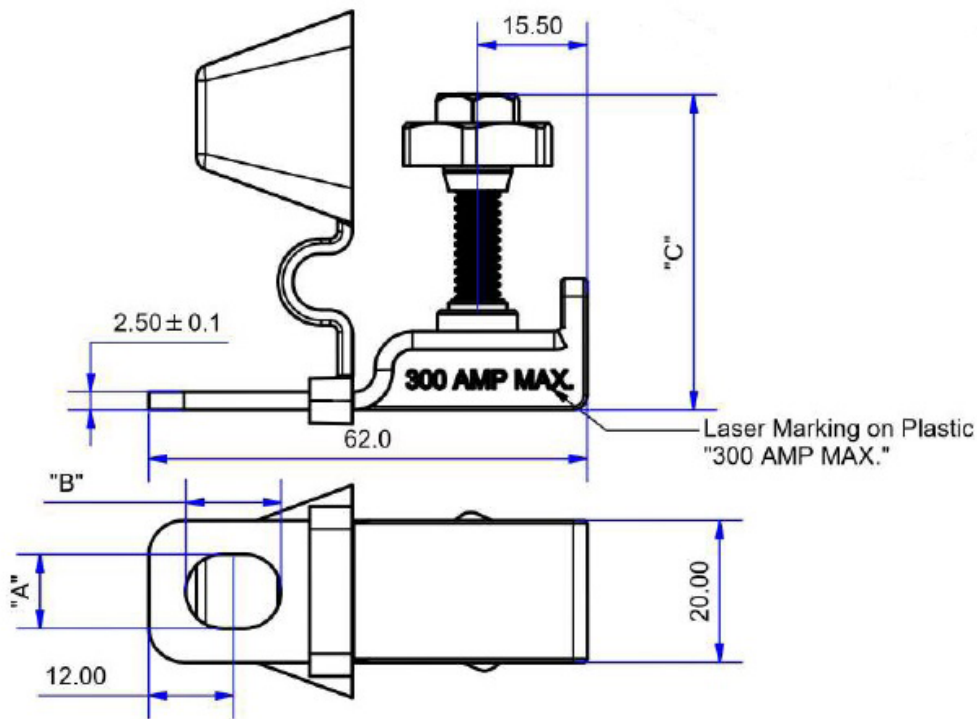


PICO®

9873

Specifications Sheet

Outline Drawings



Unit of measure: mm

Specifications

Ratings:

- Voltage: 58V DC Max
- Amperage: 300A Max

Material:

- Body: Thermoplastic PPS UL94-V0, Color: Black
- Busbar Material: Copper Alloy (Nickel Plating) Thickness 2.5mm
- Stud Material: Stainless Steel
- Nut-Steel (Zinc Plating), Self Locking
- Housing Thermoplastic PPS UL94-V0, Color: Black

Maximum Torque: 12N.m (122.4Kgf-cm)