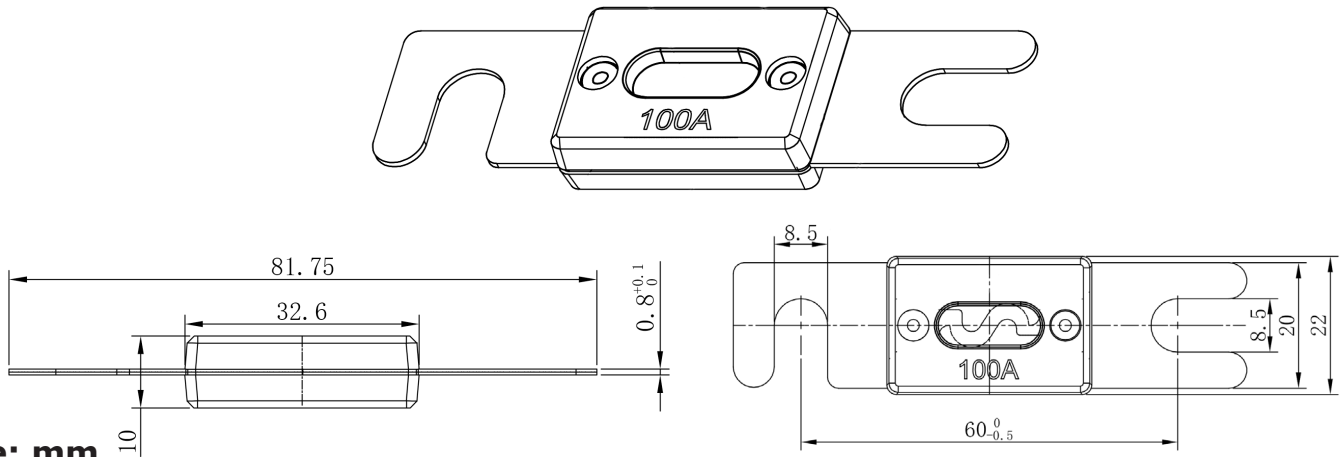




PICO®

9804-9813 Specifications Sheet

Outline Drawing



Scale: mm

Time Current Characteristics			AMP	PT. #	MOUNTING TORQUE
Test Current	Opening Time		25A	9804	3.5 ~ 4.5N. m
	Min	Max	30A	9805	
150%	1hrs.	---	40A	9806	6 ~ 7N. m
220%	---	60s	50A	9807	7 ~ 8N. m
250%	0.8s	10s	60A	9808	
400%	0.2s	2s	70A	9809	8 ~ 10N. m
Notes <ul style="list-style-type: none"> • Metal Element: Copper Alloy with gold plating • Body: Bakelite • Voltage Rating: 32V DC • Type: Medium Time Lag • Complies with DIN 43560/1 • Unless otherwise specified tolerance is ± 0.4 mm. 			80A	9810	
			100A	9811	
			150A	9812	
			200A	9813	12 ~ 13N. m

